



P.O. Box 429, 805 Greenlawn Road, Murphy, NC 28906-0429 TEL: (828) 837-4029 www.aegispower.com
Spec Sheet, Rev. A01, Date: 7/01/09



Ordering Information: AEGIS P/N: HR2303-01

HR2303-01 120VAC, 1 Phase Input, Three DC outputs, N+1 Redundant
(25°C, nom line, 100% load unless otherwise specified)

- AC Input Voltage:** 120VAC +/- 10%, 50/60Hz +/-5%, Single Phase
- AC Input Line Current:** 10A Max @ 120VAC
- Input Power:** 1200W Max. @ 120VAC
- Inrush Current:** 20A Max @ 120VAC
- Power Factor:** ≥ 0.98 @ 120VAC, 60 Hz.

- Output Power:** 810W Max. (Three Power Modules installed, N+1)
- Output Voltages:**
 - +5VDC 30A, 150W (+0.25V / -0.125V)
 - +12VDC 50A, 600W (+0.6V / -0.6V)
 - 12VDC 5A, 60W (+0.6V / -0.6V)
- Remote Sense:**
 - +5VDC, 0.40VDC correction
 - ±12VDC, 0.50VDC correction
- Current Share:**
 - +5VDC & +12VDC, 5% @ Full load
 - 12VDC, 10% @ Full load
- Cooling:**
 - Internal Fan (qty 2) per Power Module.
 - Air Flow is **Front to Rear**. (Faceplate is Front)
- Efficiency:** 70% Min.
- Startup Time:** 2 second Max.
- Hold Up Time:** 10 msec Max. @ 120VAC
- Temperature Regulation:** +/-0.01%/deg C
- Line/Load Regulation:** +/- 0.5% / +/- 1.0%
- Output Ripple:** 50mV pk-pk Max. (20MHz BW)
 (Meas @ end of 2ft twisted pair with 0.1uf ceramic & 10uF tantalum Cap in parallel)

- Overvoltage Protection:**
 - Output, typical 115%
 - Recycle input power to reset (1minute off)
- Over Temp Protection:** Outputs disabled at approx 90°C, automatic recovery
- Current Limit:** Output Short Circuit protected, automatic recovery
- Temperature:**
 - Operating: -20°C to +60°C
 - Non Operating; -32°C to +65°C
- Size:** 19" Rack, 3.5"H (2U) x 16.675"W x 16.25"L.
- Weight:** 32 lb. Max. (three power modules installed)
- Finish / Material:** Black Painted / Aluminum.
- Connector:** See Chassis Connector Pinout Table below.

Altitude: Non-Operating, 50,000 ft.
Operating, 8,000 ft.

Status Signals: DC OK, (Open Collector Transistor). NOTE: Only available with three power modules installed.

Status LED's: AC OK, DC OK (each Power Module), (LED on = status OK)

Vibration: Non-Oper Vib, MIL-STD-810, Method 514.5, Proc I, 5-500Hz, 2hr per table below.

| Freq (Hz) | 5 | 8 | 12 | 16 | 30 | 79 | 500 |
|-------------------------|-----|------|------|-----|------|---------|----------|
| G²/Hz | .29 | 1.36 | .348 | .78 | .291 | .000173 | 0.000002 |

Shock: Non-Oper Shock, MIL-STD-810, Method 516.5 Proc I, 15G, 30 ms duration

Humidity: 0-95% non-condensing

EMI: FCC Class A

Warranty: 2 yrs for date of shipment against defects in material or workmanship when in normal use and service.

Specifications are subject to change without notice.

[AEGIS Power Systems, Inc retains all rights to the product described in specification sheet.](#)

HR2303 CHASSIS CONNECTOR PIN OUT

Input Connector J1, Rear Panel, 3 pin, Type MS3102E22-9P

TABLE 1. REAR PANEL CONNECTOR J1

| NAME | PIN |
|---------|-----|
| Neutral | A |
| Ground | B |
| Line | C |

Output Connector J2: Rear Panel, 24 Pin, Type MS3102E24-28S

TABLE 2. REAR PANEL CONNECTOR J2

| NAME | J2 PIN | P1_1 | P1_2 | P1_3 |
|------------------|--------|------|------|------|
| +5VDC | A | 14 | 14 | 14 |
| +5VDC | B | 24 | 24 | 24 |
| +5VDC RTN | C | 13 | 13 | 13 |
| +5VDC RTN | D | 23 | 23 | 23 |
| +12VDC | E | 11 | 11 | 11 |
| +12VDC | F | 21 | 21 | 21 |
| +12VDC | G | 11 | 11 | 11 |
| +12VDC RTN | H | 12 | 12 | 12 |
| +12VDC RTN | J | 22 | 22 | 22 |
| +12VDC RTN | K | 12 | 12 | 12 |
| -12VDC | L | 25 | 25 | 25 |
| -12VDC RTN | M | 26 | 26 | 26 |
| DC-OK | N | 29 | NC | NC |
| +5 VDC SENSE | P | 3 | 3 | 3 |
| +5 VDC SENSE RTN | Q | 4 | 4 | 4 |
| +12VDC SENSE | R | 1 | 1 | 1 |
| +12VDC SENSE RTN | S | 2 | 2 | 2 |
| -12VDC SENSE | T | 5 | 5 | 5 |
| -12VDC SENSE RTN | U | 15 | 15 | 15 |
| +5VDC | V | 24 | 24 | 24 |
| +5VDC RTN | W | 23 | 23 | 23 |
| +12VDC | X | 21 | 21 | 21 |
| +12VDC RTN | Y | 22 | 22 | 22 |
| DC-OK RTN | Z | NC | NC | 28 |

Note1: P1_1-28 jumps to P1_2-29, & P1_2-28 jumps to P1_3-29.

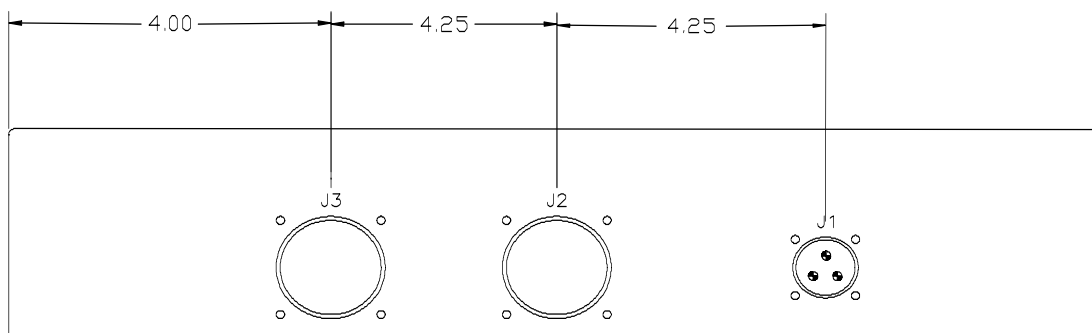
Note 2: DC-OK Signal only available when 3 power modules are installed.

TABLE 3. REAR PANEL CONNECTOR J3

| NAME | J3 PIN | P1_1 | P1_2 | P1_3 |
|------------------|--------|------|------|------|
| +5VDC | A | 14 | 14 | 14 |
| +5VDC | B | 24 | 24 | 24 |
| +5VDC RTN | C | 13 | 13 | 13 |
| +5VDC RTN | D | 23 | 23 | 23 |
| +12VDC | E | 21 | 21 | 21 |
| +12VDC | F | 11 | 11 | 11 |
| +12VDC | G | 21 | 21 | 21 |
| +12VDC RTN | H | 22 | 22 | 22 |
| +12VDC RTN | J | 12 | 12 | 12 |
| +12VDC RTN | K | 22 | 22 | 22 |
| -12VDC | L | 25 | 25 | 25 |
| -12VDC RTN | M | 26 | 26 | 26 |
| DC-OK | N | 29 | NC | NC |
| +5 VDC SENSE | P | 3 | 3 | 3 |
| +5 VDC SENSE RTN | Q | 4 | 4 | 4 |
| +12VDC SENSE | R | 1 | 1 | 1 |
| +12VDC SENSE RTN | S | 2 | 2 | 2 |
| -12VDC SENSE | T | 5 | 5 | 5 |
| -12VDC SENSE RTN | U | 15 | 15 | 15 |
| +5VDC | V | 14 | 24 | 24 |
| +5VDC RTN | W | 13 | 23 | 23 |
| +12VDC | X | 11 | 11 | 11 |
| +12VDC RTN | Y | 12 | 12 | 12 |
| DC-OK RTN | Z | NC | NC | 28 |

Note1: P1_1-28 jumps to P1_2-29, & P1_2-28 jumps to P1_3-29.

Note 2: DC-OK Signal only available when 3 power modules are installed.



Chassis Connector Locations (Rear of Unit).